

Solid-State Lighting Series

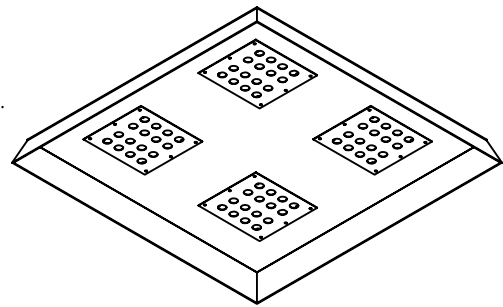
LED T-BOX

Datasheet

LED T-BOX is an environmentally friendly and energy-efficient LED lighting source. It combines technologies in optical, thermal, mechanical, electrical, and material aspects into one unique fixture.

Also, to ensure the safety of our customers, the power supply for LED T-BOX has both CE and FCC certificate. In general, a LEDs fixture suffers from glare and multi-shadow effect, which is often the cause of fatigue during long hours of working. However, with careful design in optics, LED T-BOX has a break through in above issue creating a comfortable working environment.

Finally, the installation of LED T-BOX is very easy and it can replace the traditional T-bar without additional transformer or power supply.



Features :

- Universal input
- Design with thermal solution
- High Flux
- Energy efficiency

Table of Contents

- Dimensions..... 2
- Absolute Maximum Ratings..... 2
- Specification..... 3
- Illuminance and Beam Angles..... 3
- Assembly Instructions and Recommended Driver Specification..... 4
- Application Notes..... 4

Dimensions

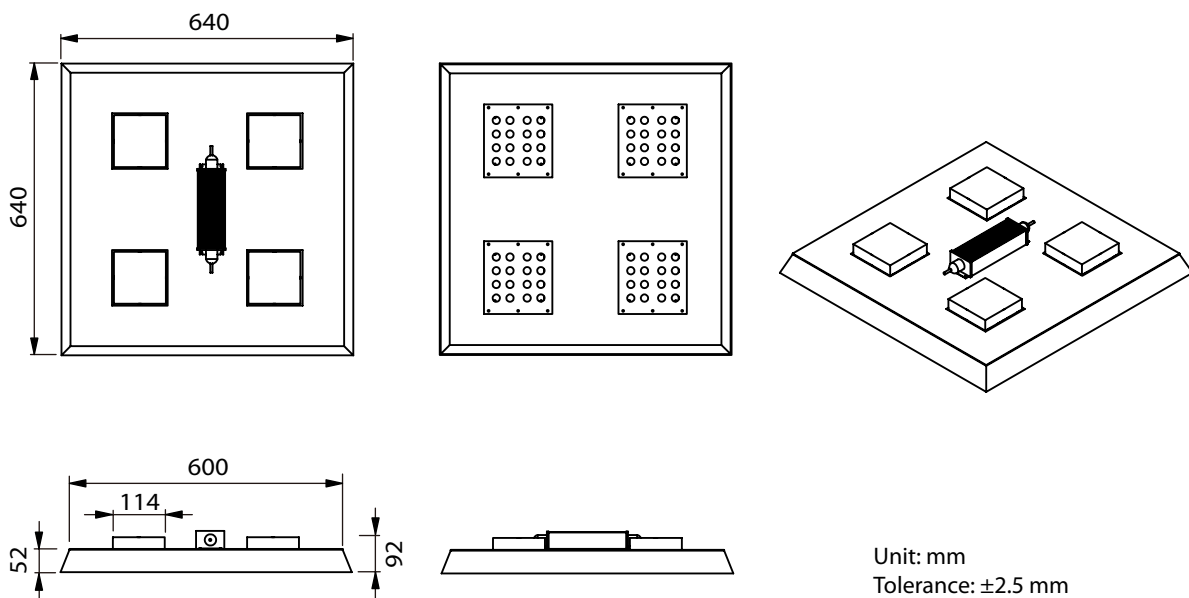


Figure 1: LED T-BOX dimensions

Absolute Maximum Ratings

Parameter	Rating	Units
AC Input Voltage	110/220	V
Total Power Consumption	74	W

Table 1: LED T-BOX absolute maximum ratings

Specification

• LED T-BOX

Electrical, Optical and Thermal Characteristics (Ta=25°C)

Part No.	LED Units (pcs)	Color	CCT Typ. (K)	Illuminance Cen. (Lux)	LED Power Typ. (W)	Equilibrium Temperature(°C)
ETAA-W-6401C	64	White	6,000	1,250	72.3	70~75

Table 2: LED T-BOX specification

Illuminance and Beam Angles

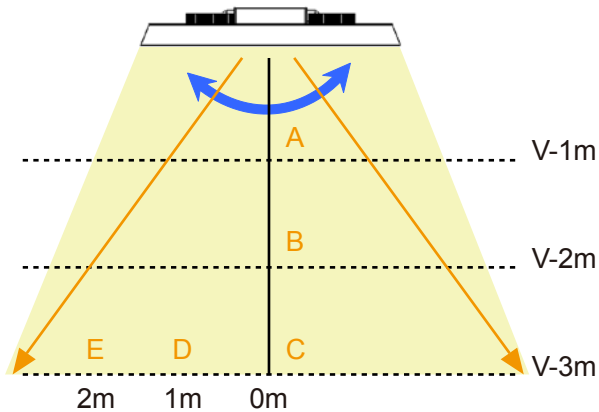
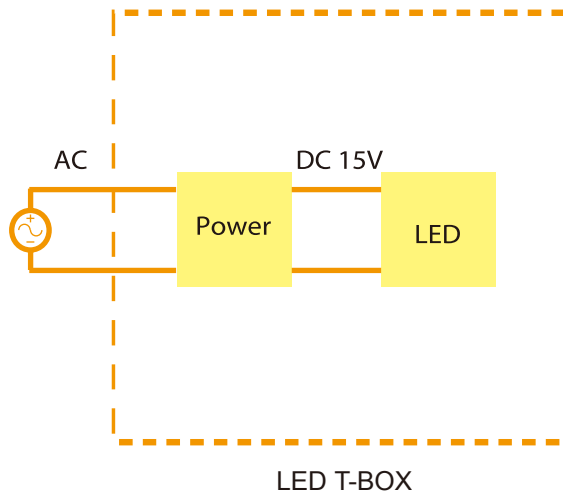


Figure 2: LED T-BOX light patterns of different color

Measured point	Lighting Angle	A(lux)	B(lux)	C(lux)	D(lux)	E(lux)
Edixeon® (50 lm)	150 degree	1,250	320	130	115	50

Table 3: LED T-BOX specifications light pattern

Assembly Instructions and Recommended Driver Specification



- Assembly Instruction :
90~120 ACV or 210~230 ACV

Figure 3: LED T-BOX Assembly Instruction

Application Notes

LED T-BOX has more energy efficient than traditional florescent fixtures, and it can replace traditional fixtures easily and quickly without transformer or power supply.



The light source of LED T-BOX makes people comfortable without glare light beam and multi-shadows problem.

